



# S32K3 Automotive Telematics Box (T-Box) Reference Design Board

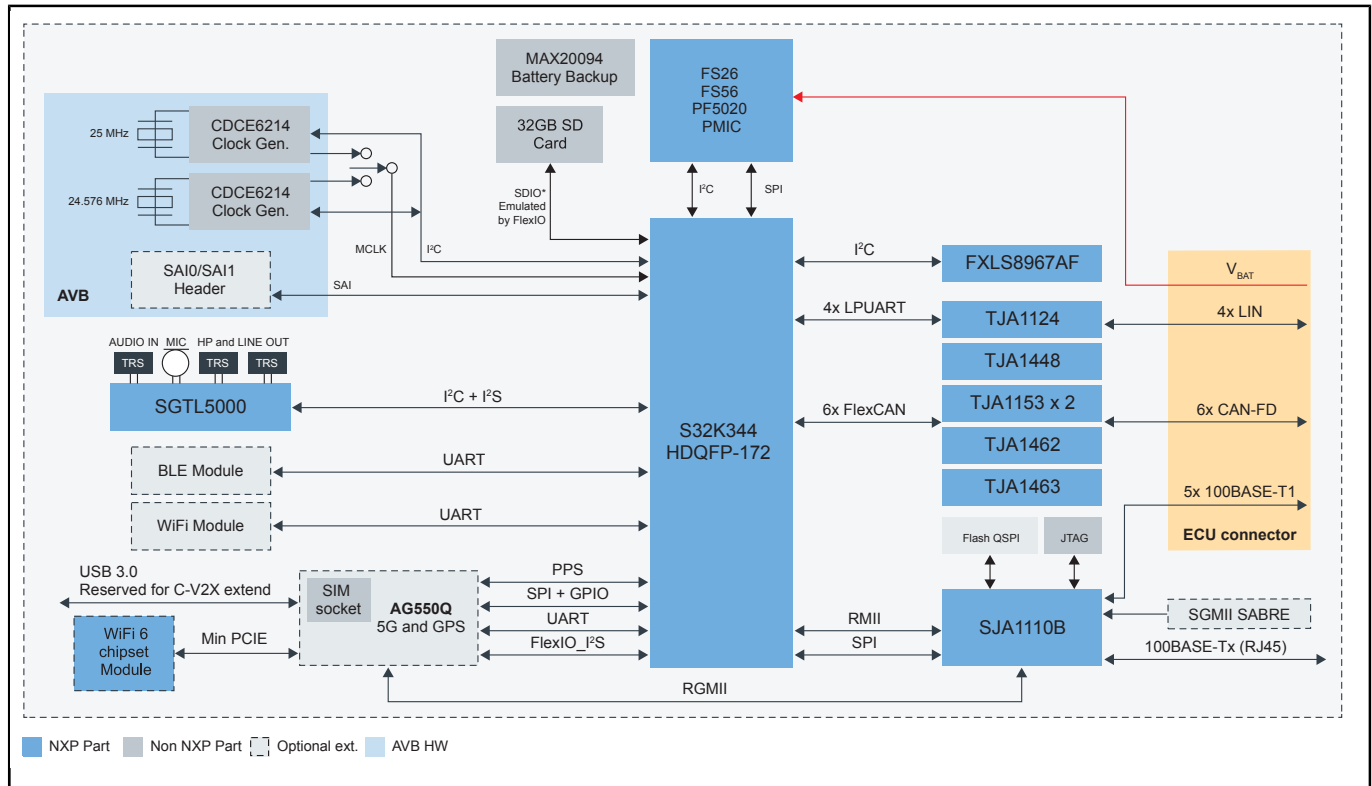
## S32K3-T-BOX

Last Updated: May 2, 2024

The S32K3 Automotive Telematics Box (T-BOX) is a compact, highly-optimized reference design board engineered to develop cost-effective vehicle networking and telematics applications.

Based on the S32K344 MCU with lockstep Arm® Cortex®-M7, the S32K3-T-BOX provides a reference for automotive applications such as 5G telematics box plus gateway and automotive Ethernet AVB with remote diagnostic, low-predictable latency, TSN Ethernet support and a wealth of communication interfaces (CAN FD/LIN/Ethernet/SJA1110). It can be directly used by carmakers, suppliers and software ecosystem partners to accelerate the development and shorten time-to-market.

## S32K3 Telematics Box (T-Box) Reference Design Board Block Diagram



## S32K3 Family Overview Block Diagram

K311	K312	K314	Common Features	K322	K324	K341	K342	K344	K328	K338	K348	K358
1 x Arm® Cortex-M7 @120 MHz		1x Cortex-M7 @240MHz	AEC-Q100, 125 °C, 3,3/5 V	2 x Cortex-M7 @240 MHz		1 Lockstep Cortex-M7 @ 240 MHz			2 x Cortex-M7 @ 240 MHz	3 x Cortex-M7 @ 240 MHz	1 LS Cortex-M7 @ 240 MHz	1 LS Cortex-M7 + 1 Cortex-M7 @ 240 MHz
1 MB Flash	2 MB Flash	4 MB Flash	HSE-B Crypto Security Engine	2 MB Flash	4 MB Flash	1 MB Flash	2 MB Flash	4 MB Flash	8 MB Flash			
128 K SRAM	192 K SRAM	512 K SRAM	FOTA (Firmware Over-the-Air)	256 k SRAM	512 k SRAM	256 k SRAM	256 k SRAM	512 k SRAM	1152 KB SRAM	1152 KB SRAM	1152 KB SRAM	1152 KB SRAM
up to 84 I/Os	up to 143 I/Os	up to 218 I/Os	Low-Power Operating Modes and Peripherals (LP UART, FlexIO)	up to 143 I/Os	up to 218 I/Os	up to 143 I/Os	up to 143 I/Os	up to 218 I/Os	up to 218 I/Os			
16-ch, eDMA		32-ch, eDMA	ASIL B/D Safety: (ECC Memories, MPU, CRC, Watchdogs)	32-ch, eDMA					32-ch, eDMA			
3 x CAN (3 x FD)	6 x CAN (6 x FD)		100 Mbit/s Ethernet (TSN)	4 x CAN (4 x FD)	6 x CAN (6 x FD)	4 x CAN (4 x FD)	4 x CAN (4 x FD)	6 x CAN (6 x FD)	8 x CAN (8 x FD)	8 x CAN (8 x FD)	8 x CAN (8 x FD)	8 x CAN (8 x FD)
				100 Mbit/s Ethernet (TSN)					1 Gbit/s Ethernet (TSN)			
2 x FC	2 x FC	2 x FC	eMIOS Timers, Analogue Comparator, Logic Control Unit, Body Cross Triggering Unit, Trigger Mux	2 x FC	2 x FC	2 x FC	2 x FC	2 x FC	2 x FC			
4 x SPI*		6 x SPI*	JTAG	4 x SPI*	6 x SPI*	4 x SPI*	4 x SPI*	6 x SPI*	6 x SPI*			
2 x 24-ch, 12-bit ADC		3 x 24-ch, 12-bit ADC	S32 Design Studio IDE	2 x 24-ch, 12-bit ADC	3 x 24-ch, 12-bit ADC	2 x 24-ch, 12-bit ADC	2 x 24-ch, 12-bit ADC	3 x 24-ch, 12-bit ADC	3 x 24-ch, 12-bit ADC			
			Real-Time Drivers (AUTOSAR® and Non-AUTOSAR)	2 x SAI (FS)					2 x SAI (FS)			
				Quad SPI					Quad SPI + SDHC (SDIO)			
LOFP-48	HDQFP-172			HDQFP-172					HDQFP-172			
HDQFP-100				HDQFP-100		HDQFP-100	HDQFP-100					
			Security FW Safety Software Framework Application Software	MAPBGA-257				MAPBGA-257	MAPBGA-289			

View additional information for [S32K3 Automotive Telematics Box \(T-Box\) Reference Design Board](#).

Note: The information on this document is subject to change without notice.

[www.nxp.com](http://www.nxp.com)

NXP and the NXP logo are trademarks of NXP B.V. All other product or service names are the property of their respective owners. The related technology may be protected by any or all of patents, copyrights, designs and trade secrets. All rights reserved. © 2024 NXP B.V.